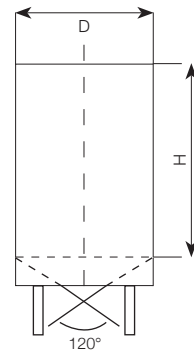
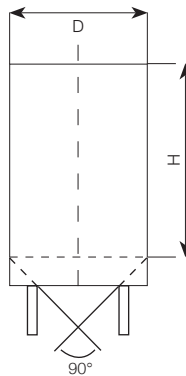
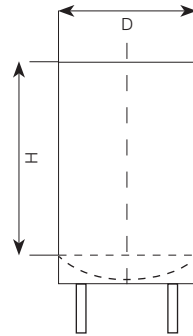
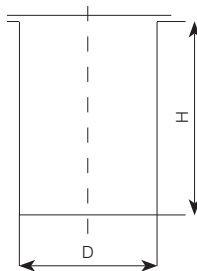
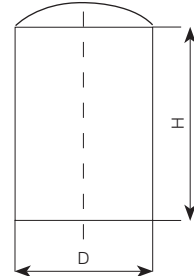
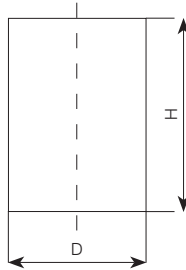




Typical Vertical Vessels

Available with GRP or Steel Saddles

Volume (in liters)	D (in mm)	H (in mm)
5,000	1,700	2,200
	1,800	2,000
7,500	1,800	3,000
	2,000	2,400
10,000	2,000	3,200
12,500	2,000	4,000
	2,200	3,300
15,000	2,200	3,950
	2,500	3,100
20,000	2,200	5,300
	2,500	4,100
	2,750	3,400
	3,000	3,000
25,000	2,500	5,100
	2,750	4,250
	3,000	3,600
30,000	3,000	4,300
	3,250	3,650
40,000	3,250	4,900
	3,500	4,200
50,000	3,250	6,100
	3,500	5,200
	4,000	4,000
75,000	3,500	7,800
	4,000	6,000
100,000	4,000	8,000
	4,500	6,300
120,000	4,000	9,600
	4,500	7,550
150,000	4,500	9,500
	5,000	7,650
175,000	4,500	11,000
	15,000	8,950
200,000	4,000	16,000
	4,500	12,600
	5,000	10,200
	6,000	7,100
	8,000	4,000
250,000	6,000	8,900
	8,000	5,000
300,000	6,000	10,650
	8,000	6,000
400,000	8,000	8,000
500,000	8,000	10,000
	11,500	4,900
1,000,000	19,600	3,400
1,000,000	11,500	9,850



With dish or conical type bottom and top

Extra molds:

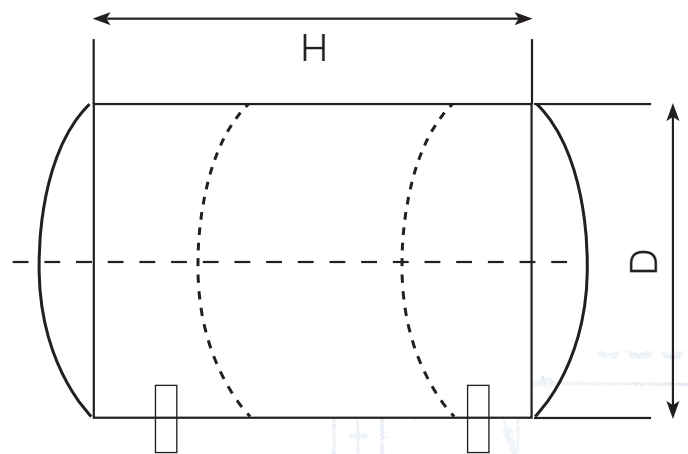
- 1,000 mm
- 1,200 mm
- 1,400 mm
- 1,500 mm
- 1,600 mm



Standard Horizontal Vessels

Available with GRP or Steel Saddles

Volume (in liters)	D (in mm)	H (in mm)
5,000	1,200	4,400
	1,400	3,200
10,000	1,700	4,400
	1,800	3,900
	2,000	3,200
15,000	2,000	3,950
	2,200	3,950
20,000	2,200	5,250
	2,500	4,000
25,000	2,200	6,500
	2,500	5,000
30,000	2,200	7,800
	2,500	6,000
40,000	2,500	8,000
	2,750	6,700
50,000	2,500	9,500
	2,750	8,300
	3,000	7,000
75,000	3,250	9,000
	3,500	7,700
100,000	3,500	10,000



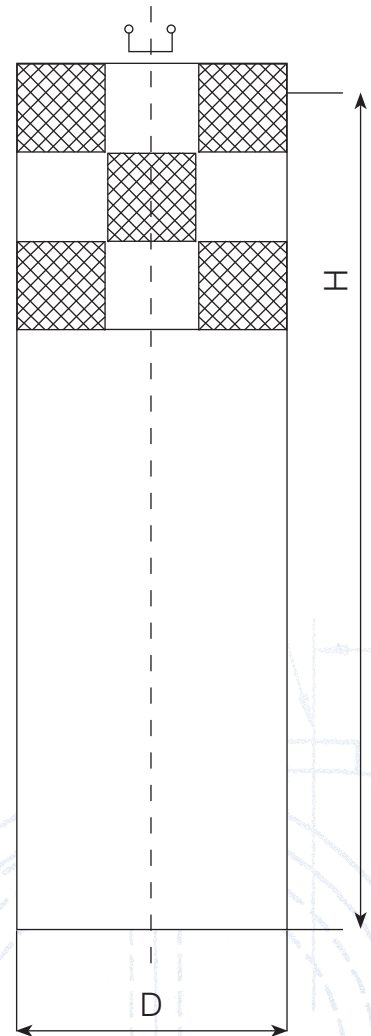
Other volume available on request
also available in all standard diameters



Vertical Water Column

(stand pipe)

Volume (in liters)	D (in mm)	H (in mm)
50,000	2,000	16,000
50,000	2,500	10,200
100,000	2,750	17,000
100,000	3,000	14,200
150,000	3,000	21,300
200,000	3,250	24,100
	3,500	21,000
250,000	3,250	30,200
	3,500	26,000
300,000	3,500	31,500
	4,000	24,000
350,000	3,500	36,750
	4,000	28,000
400,000	4,000	32,000
450,000	4,000	36,000
	4,500	28,300
500,000	4,500	31,500
	5,000	25,500

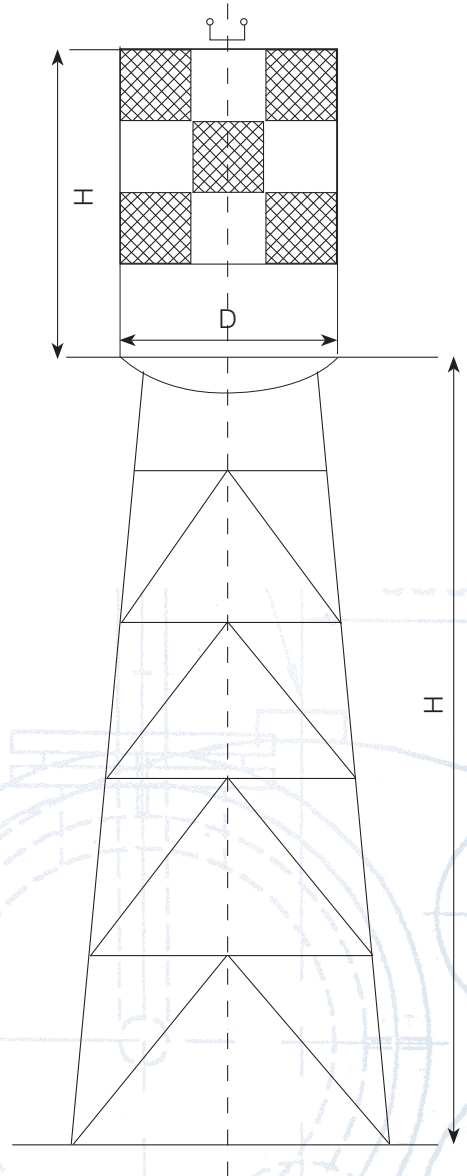


Other volume available on request
also available in all standard diameters



Vertical Water Tower

Volume (in liters)	Vessel D (in mm)	Vessel H (in mm)	Tower H (in mm)
25,000	3,000	3,400	12
25,000	3,000	3,400	20
50,000	3,500	5,100	12
50,000	3,500	5,100	20
100,000	4,000	8,000	12
100,000	4,000	8,000	20
150,000	4,500	9,000	12
150,000	4,500	9,000	20
200,000	4,500	12,000	12
200,000	4,500	12,000	20



Other volume available on request
also available in all standard diameters



GRP Trailers Transportation Tank

BEL Technologies Ltd. designs and produces trailers and transportation tanks for hazardous liquids and fertilizers according to the **ADR Rules and S.I. 819**

We can offer three types of tanks:

- "Chassis-Less" track trailer approved by the Israeli Ministry of Transport License No.5659
- Fixed tanks mounted directly to the track chassis
- Demountable tank to fit standard 20' "Twist Lock" container

Our scope of supply includes:

- Complete Automotive System approved by S.I.I. and the Ministry of Transport
- Pipes and valves
- Safety pneumatic discharge system
- Filling opening with special opening system
- Top manholes
- Pressure and vacuum relief valves
- Ladder, Walkway and Handrail on top



BEL Technologies Ltd.

Industrial zone Kiryat Yehudit, P.O.B. 4 Beer-Sheva, Israel Tel. +972-8-6254400, Fax. +972-8-6254402, technologies@bel-g.com

www.bel-g.com